

Illustration - Type - E

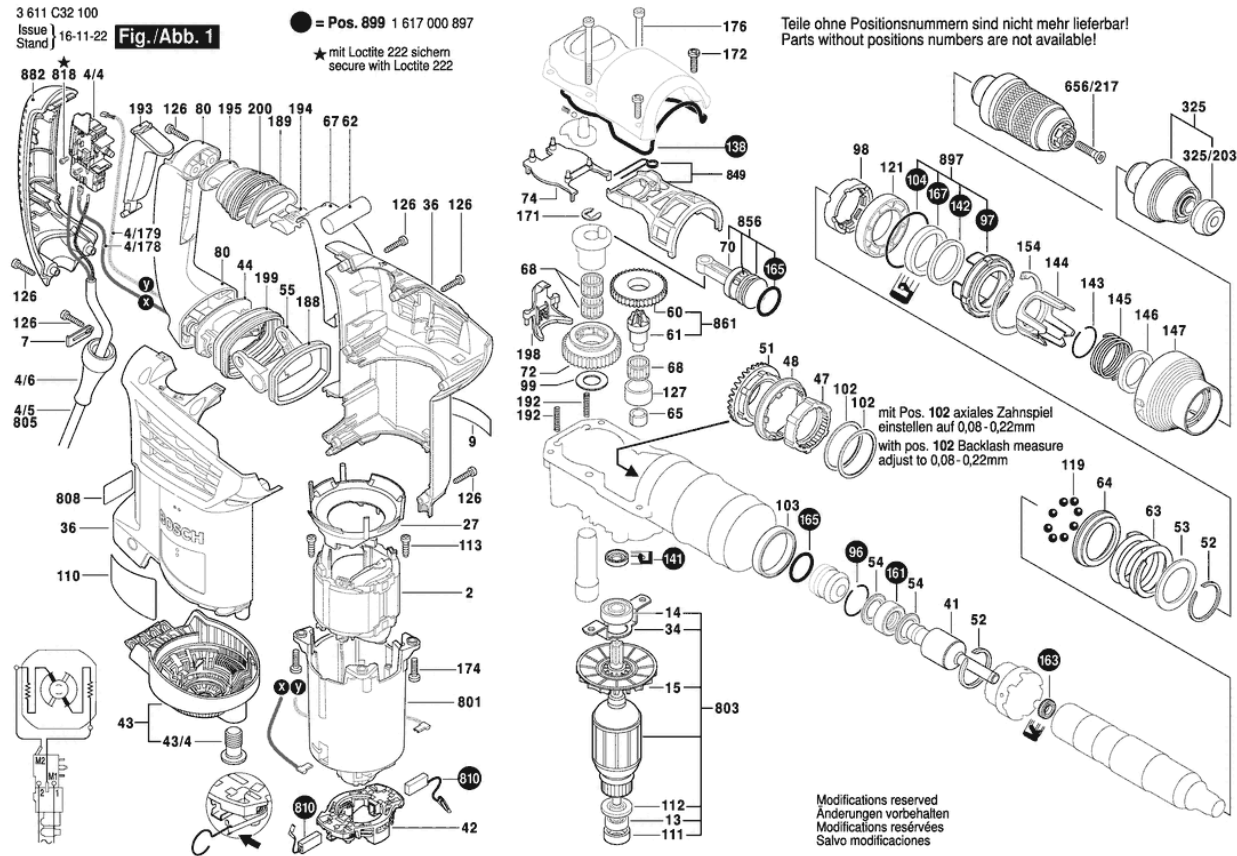
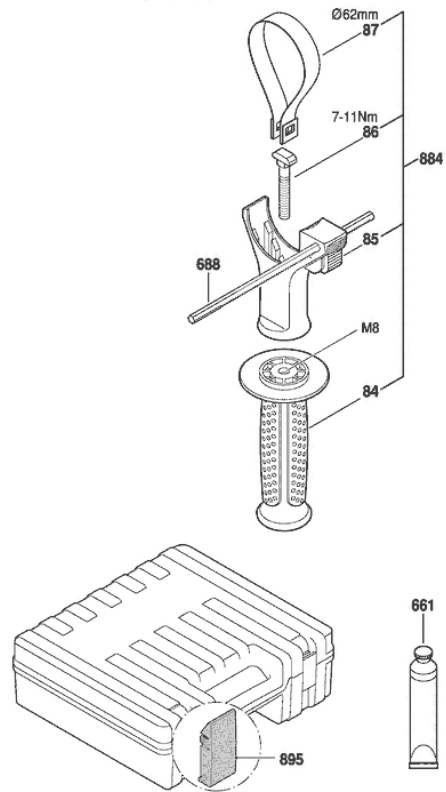


Illustration - Type - E

3 611 C32 100  
Issue | 08-01-24  
Stand | **Fig./Abb. 2**



Änderungen vorbehalten  
Modifications reserved  
Modifications réservées  
Salvo modificaciones

## Spare parts list

Item	Part Number	Description	Illustration
2	1 619 P08 340	Field 230V	1
4/178	1 614 412 055	Connecting Cable	1
4/179	1 614 412 056	Connecting Cable	1
4/4	1 617 200 127	Switch	1
4/6	1 600 703 034	Grommet Ø7,3-Ø8,6X66 MM	1
7	1 601 302 017	Fastening Clamp	1
9	1 601 11C 1CA	Manufacturer's nameplate	1
13	2 600 905 032	Ball Bearing 7X19X6	1
14	1 610 905 036	groove ball bearing 10X26X8	1
15	1 616 610 100	Fan	1
27	1 610 591 043	Air-Deflector Ring BLACK	1
34	1 611 322 004	Fixing Plate	1
36	1 615 104 049	Housing Section	1
41	1 613 124 088	Striker Pin	1
42	1 614 336 072	Brush Holder	1
43	1 615 500 384	Fan Cover BLACK	1
43/4	1 613 490 007	Clamp Screw	1
44	1 614 611 025	Rocker Foot BLACK	1
47	1 616 328 049	Gear Sleeve	1
48	1 610 290 085	Clutch Sleeve	1
51	1 616 333 044	Crown Gear	1
52	1 614 601 061	Spring retaining ring	1
53	1 610 102 634	Supporting Disc	1
54	1 610 101 020	Stop Disc	1
55	1 612 099 001	Rocker Arm BLACK	1
60	1 616 317 076	Cylindrical Gear	1
61	1 616 333 046	Pinion	1
62	1 610 026 002	Damping rubber	1
63	1 614 611 026	Compression Spring	1
64	1 616 409 024	Clutch Ring	1
65	1 610 301 007	Plain bearing	1
67	1 616 232 006	Leaf Spring	1
68	1 610 913 021	Needle-Roller Assembly	1
70	1 612 001 041	Connecting Rod	1
72	1 616 317 077	Eccentric Cog Wheel	1

## Spare parts list

Item	Part Number	Description	Illustration
74	1 614 336 075	Support Plate	1
80	1 615 133 033	Handle BLUE	1
96	1 614 601 060	Retaining ring	1
97	1 610 314 005	Sealing Sleeve	1
98	1 610 211 019	Spacer Sleeve	1
99	1 610 101 626	Supporting Disc 1,0 MM THICK	1
102	1 610 102 079	Shim 0,8 MM THICK	1
102	1 610 102 080	Shim 0,9 MM THICK	1
102	1 610 102 081	Shim 1,0 MM THICK	1
103	1 610 200 027	Plain bearing	1
104	1 610 210 196	O-Ring 46,0X3,5 MM	1
110	1 611 110 Y97	Reference Plate	1
111	1 600 502 023	Intermediate Ring	1
112	1 610 190 038	Sealing washer	1
113	1 613 435 038	Lens Head Screw	1
118	1 616 455 007	Clutch Sleeve	1
119	1 903 230 013	Ball DIN 5401-Ø7MM-III-ST	1
121	1 610 200 028	Plain bearing	1
126	2 603 490 023	Torx Oval-Head Screw 4X20	1
127	1 610 422 021	Bushing	1
138	1 611 015 058	Sealing Frame	1
141	1 600 A00 89A	Rotary shaft lip seal	1
142	1 610 205 012	Felt Washer	1
143	2 916 540 015	Retaining ring DIN 7993-28	1
144	1 610 241 001	Collar	1
145	1 614 611 023	Compression Spring	1
146	1 610 200 029	Backup ring	1
147	1 610 390 056	Guide Sleeve BLACK	1
154	1 614 601 062	Spring retaining ring	1
161	1 610 290 092	Damping Ring	1
163	1 600 A00 9VC	Shaft Seal	1
165	1 610 210 199	O-Ring 21,0X3,5 MM	1
167	1 610 283 030	Rotary shaft lip seal A ,Ø32X42X7X6 MM DIN 3760-	1
171	2 916 080 911	Locking washer	1

## Spare parts list

Item	Part Number	Description	Illustration
172	1 603 435 08E	Thread-forming tap. Screw	1
174	1 613 490 014	Thread-forming tap. Screw	1
176	2 912 738 178	Socket head cap screw	1
188	1 610 209 008	Grip-Spring Tensioning E	1
189	1 610 209 009	Clamping Piece	1
192	1 614 611 016	Compression Spring	1
193	1 612 026 126	Switch-Pawl RED	1
194	1 610 099 008	Screw Plate	1
195	1 610 099 009	Clamping Piece	1
198	1 612 099 000	Switch Slide	1
199	1 610 284 002	Bellows	1
200	1 610 284 001	Bellows	1
325	1 617 000 895	Tool Holding Fixture	1
325/203	1 610 508 047	Protective Cap	1
656/217	2 603 421 229	Countersunk-Head Screw M6X23 LEFTHAND THREADS	1
801	1 615 108 150	Motor Housing BLACK	1
803	1 614 010 252	Armature With Fan 230V	1
805	1 614 460 026	Power supply cord EU 4,15M 2 X 1,0MM H07 RN-F	1
808	1 601 11A 3H5	Nameplate	1
810	1 614 321 079	Carbon-Brush Set	1
818	2 603 410 001	Socket head cap screw M3X6,5-4.8	1
849	1 611 329 030	Control Fork BLACK	1
856	1 618 700 093	Hammer Piston	1
861	1 616 333 048	Pinion	1
882	1 617 000 6AE	Handle Cover BLACK	1
897	1 610 314 006	Sealing Sleeve	1
899	1 617 000 897	Wear and Tear Part Set	1
84	1 602 025 07H	Auxiliary Handle	2
85	1 618 040 087	Support clamp	2
86	1 613 490 002	T-Head Bolt M8X40 MM	2
87	1 611 316 019	Clamping Band Ø62 MM	2
661	1 615 430 010	Grease Tube 30 ML	2
688	1 613 001 008	Depth-Gauge SW 6X330 MM	2
884	1 612 025 079	Auxiliary Handle	2

---

**Spare parts list**

<b>Item</b>	<b>Part Number</b>	<b>Description</b>	<b>Illustration</b>
895	1 615 438 426	Lock for 1 615 438 395	2